



TESMEC
Trencher

1150 RS



ROCKSAW TRENCHER FOR LONG-DISTANCE FIBER OPTIC NETWORKS, ELECTRIC CABLE PROJECTS AND SMALL DIAMETER PIPELINES; THE 1150 IS A HIGH PERFORMANCE ROCK-CUTTER FEATURING A SAW CUTTING UP TO 54" (137 CM) DEEP AND 14" (36 CM) WIDE.



Tesmec S.p.A.

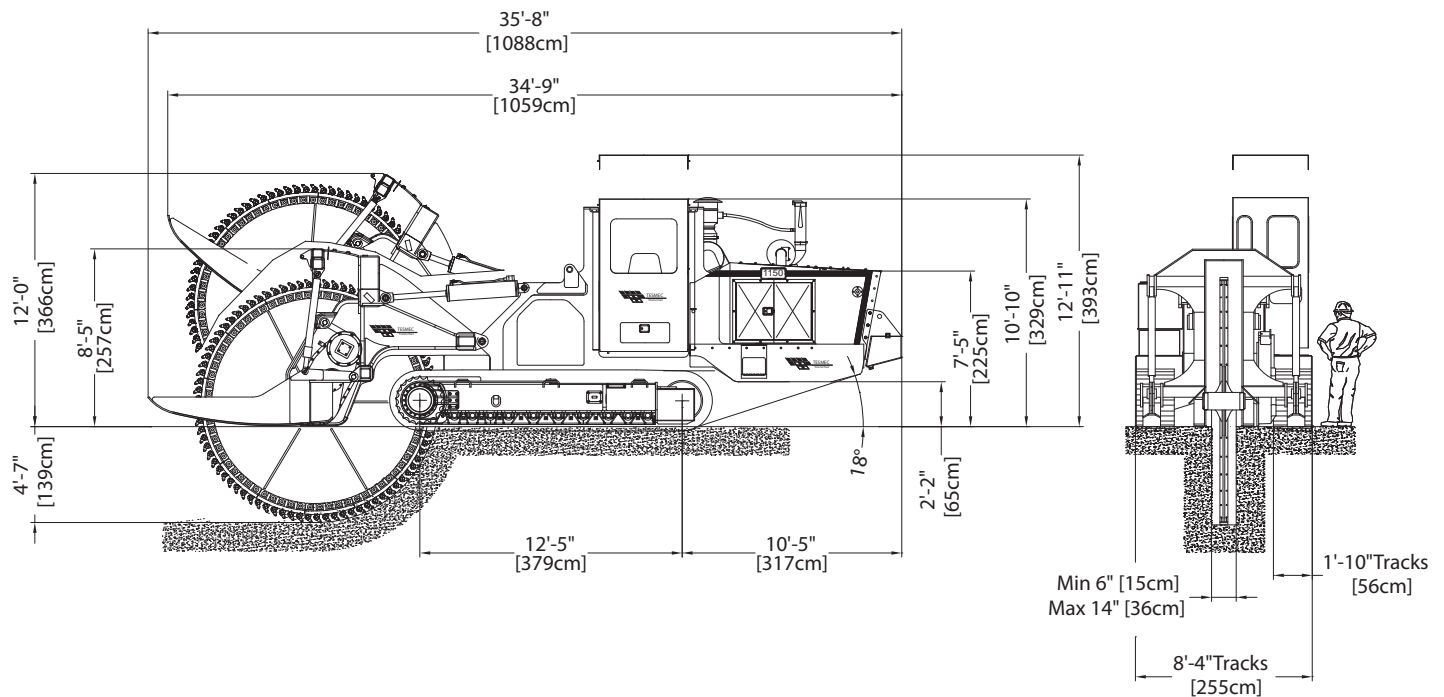
Headquarters
Via Zanica, 17/0 - 24050 Grassobbio (BG) - Italy
Tel: +39.035.4232911 - Fax: +39.035.335664

Tesmec USA Inc.

12520 East FM 917 - Alvarado, Texas 76009 - USA
Tel: +1.817.4732233 - Toll free: 800.8515102
Fax: +1.817.4739742

Keep you updated on: www.tesmec.com

0800



Standard Features

Pressurized cab with air conditioning, heating, sound suppression

Elevating cab module with roll over protection (ROPS)

Load control: operator selectable digging pressure, automatic operation

Stabilizers with adjustable drags

Tool box with locking door

Engine doors with security locks

Gearboxes, fuel and hydraulic tanks: pressurized with 5 psi (0.3 bar) filtered breathers

Flywheel gearboxes: shaved, helical gearing, case hardened for extreme shock load

Vibration isolator mounts: used on engine, radiator, oil cooler, exhaust silencer and cab

Electrical system: 24 V

Trenching Dimensions

Depths.....0-4' 6" (0-137 cm)

Widths.....6"-14" (15-36 cm)

Note: dependent on configuration and options

Engine

Model.....CAT C13 ACERT Tier 3

Max horsepower.....440 hp (328 kW)

Max no load rpm.....2.150 rpm

Fuel tank capacity.....280 gal (1.060 l)

Fuel consumption.....22 gal/hr (83 l/hr) at full load

Cooling rating adequate for 130° F (54.4° C) ambient air temperature

Air cleaner: dry type, 2 stage with dual pre-cleaner

Operating and Transport Weight

Weight.....99,208 lbs (45.000 Kg)

Note: dependent on configuration and options

Trencher Drive

Hydrostatic: two pumps and two motors capable of transmitting full engine horsepower

Infinitely variable digging chain speeds

.....standard ratio 0 ÷ 800 fpm (0 ÷ 244 m/min)

Crawler Drive

Dual path, hydrostatic drive, planetary transmissions capable of full counter rotation with single lever steering, single lever direction

Infinitely variable speed: forward and reverse

• High range.....0-2.77 mph (4.43 km/hr)

• Low range.....0-1.25 mph (2.0 km/hr)

Integral parking and emergency brake: spring applied, hydraulic release, wet disc brake

Tracks

Overall track length.....12' 5" (379 cm)

Track pad type: triple grouser

Track chain type: Caterpillar 42/325 or equivalent

Track pad width.....1' 10" (56 cm)

Hydraulic Transmission

Pressure and flow compensated (Load sensing)

Auxiliary pump flow maximum

.....40 gpm (151 l/min)

Auxiliary pressure setting.....2.500 psi (172 bar)

Oil tank capacity.....100 gal (378.5 l)

Transport Dimensions

Length w/digging attachment & counterweight34' 9" (1.059 cm)

Width.....8' 4" (255 cm)

with 1' 10" (56 cm) track pads

Height with cab10' 10" (329 cm)

Height with cab & w/digging attachment

.....12' (366 cm)

Available Devices

Work light package: 24 V, for night use

Laser control system pre-wire

Optional rocksaw cover